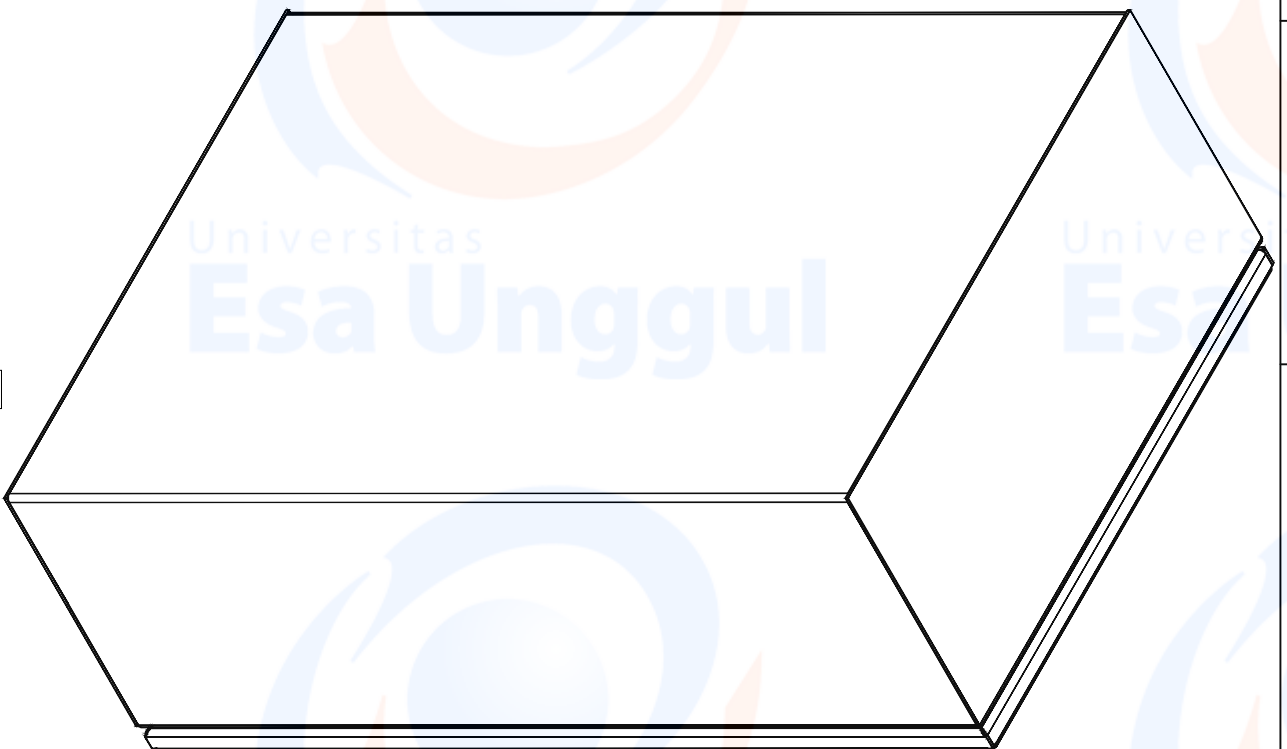
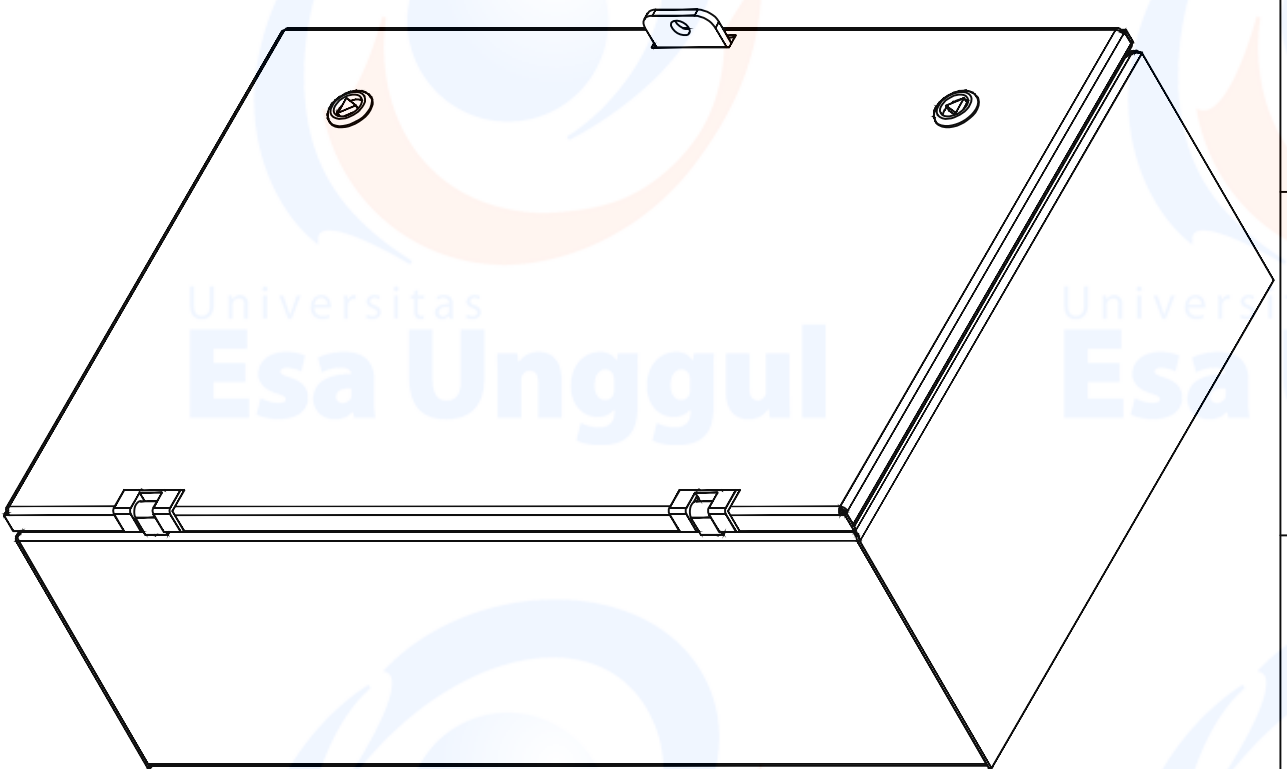


LAMPIRAN

Universitas
Esa Unggul

Universitas
Esa Unggul

Universitas
Esa Unggul



IS01

IS02

NO. SPK :

PROJECT :

DATE

PARAF

DESIGN

NR

Projection
All dimension in MILLIMETER



PT. CIPITA PESONA TEKNIK

BOX BACKBONE

TITLE :

ID W400xH600xD210

REVISI

This Drawing Belong To
PT. CIPITA PESONA TEKNIK
All Right Reserved

SCALE : 1 : 1

DRAWING

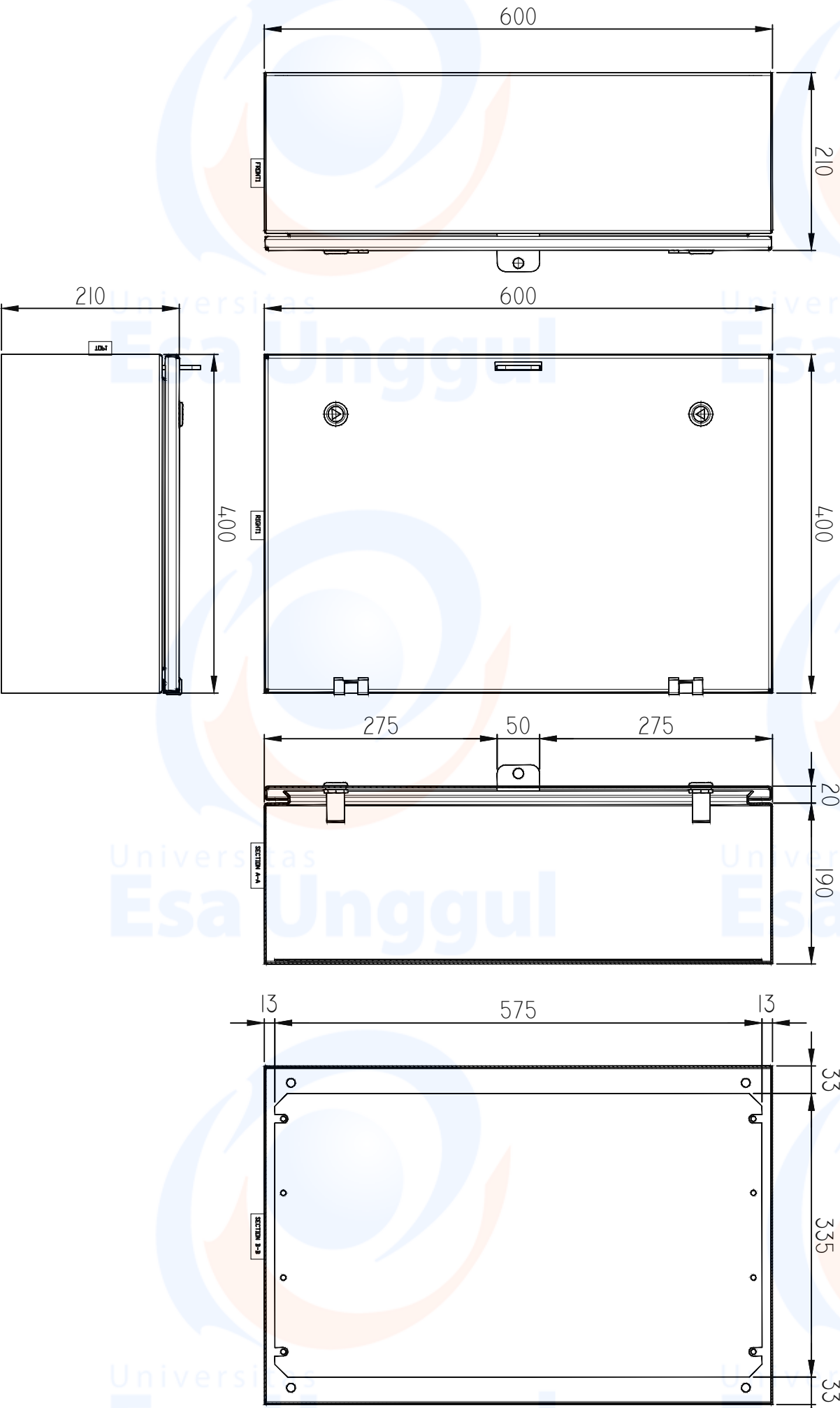
NR

CHECKED

TOLERANCE : STD

APPROVED

SHEET : 1/2



NO. SPK : _____



PT. CIPTA PESONA TEKNIK

PROJECT : **BOX BACKBONE**

TITLE : **ID W400xH600xD210**

REVISI

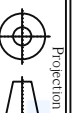
DATE

PARAF

This Drawing Belong To
PT. CIPTA PESONA TEKNIK
All Right Reserved

DESIGN

NR



Projection

DRAWING

NR

All dimension in MILLIMETER

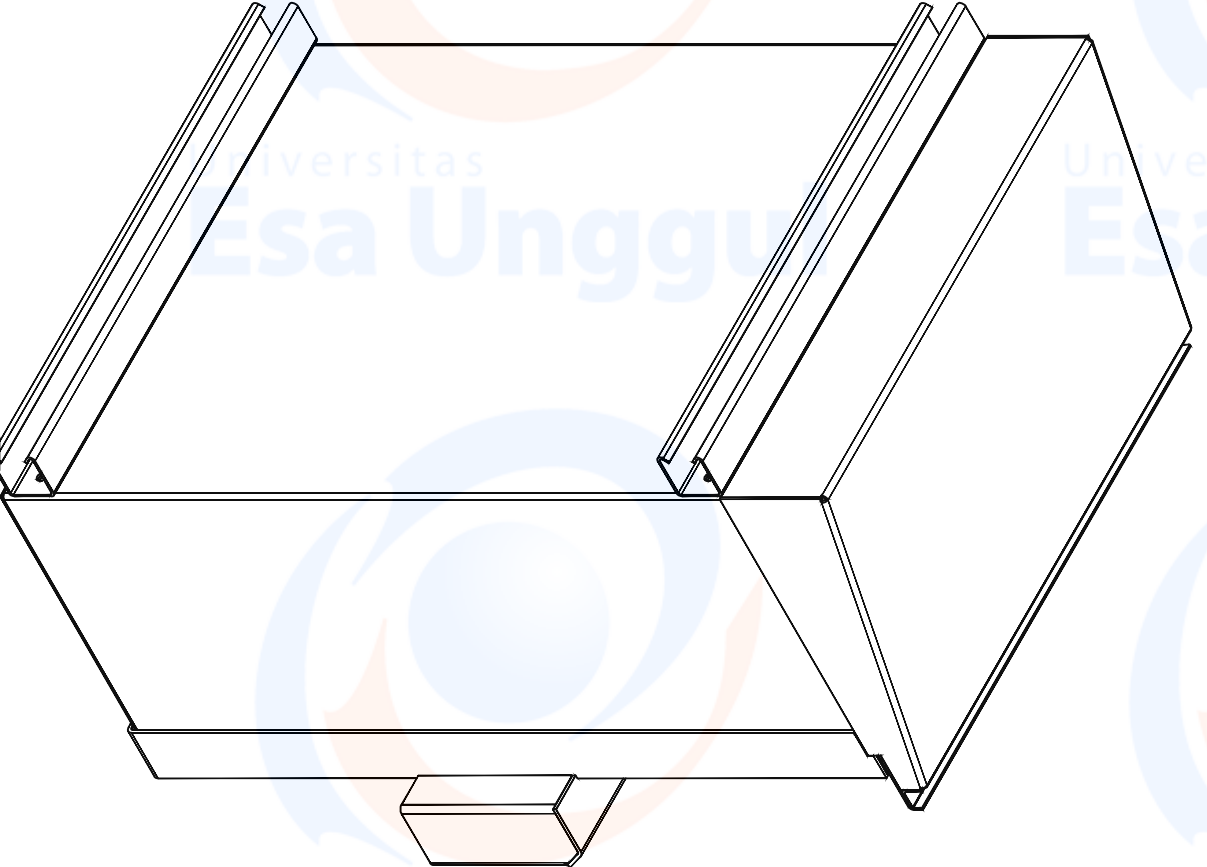
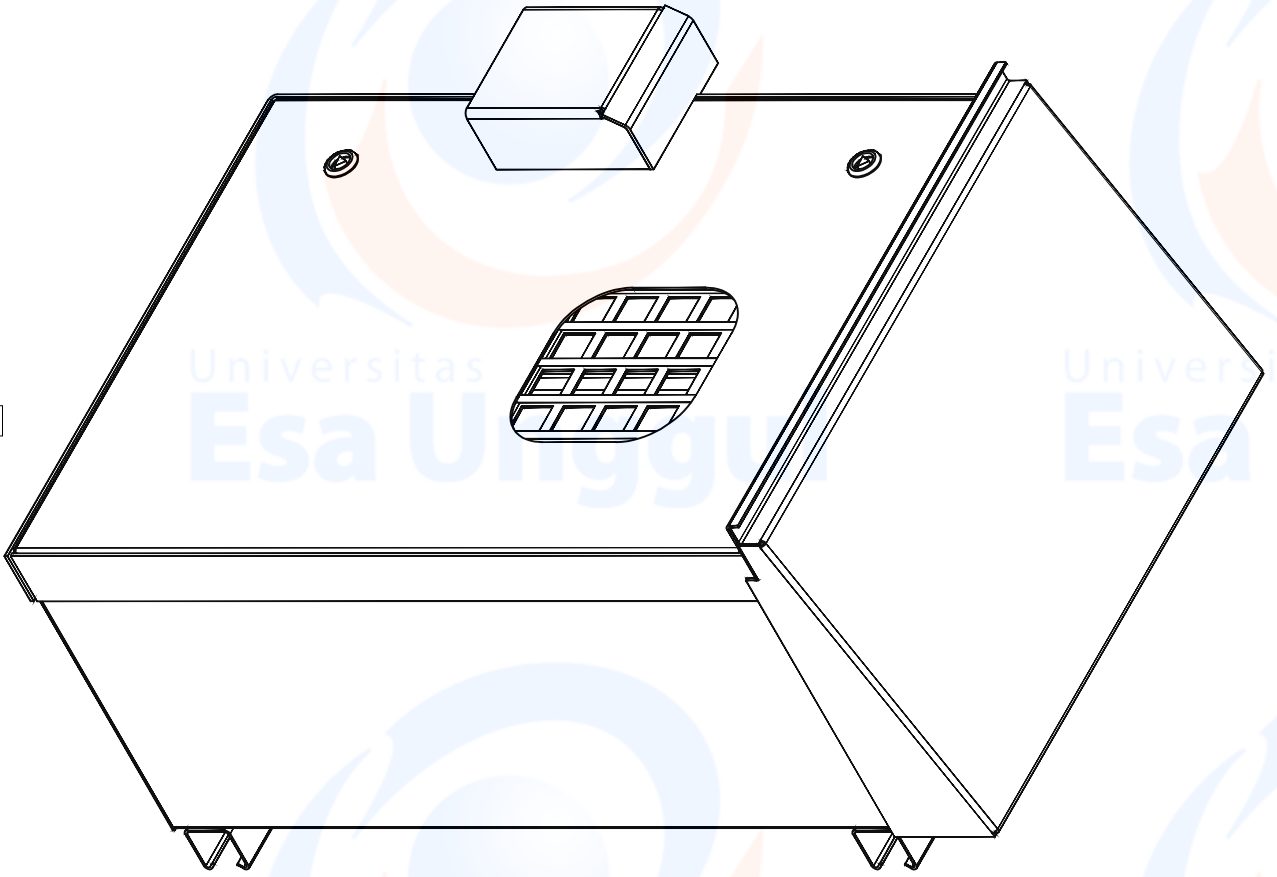
CHECKED

TOLERANCE : **STD**

APPROVED

SHEET : **1/2**

SCALE : **1 : 1**



NO. SPK :



PROJECT :

PANEL KWH MACRO

TITLE :

OD 500x700x300

REVISI

DATE

PARAF

This Drawing Belong To
PT. CIPTA PESONA TEKNIK
All Right Reserved

DESIGN

NR

Projection
All dimension in MILLIMETER

DRAWING

NR

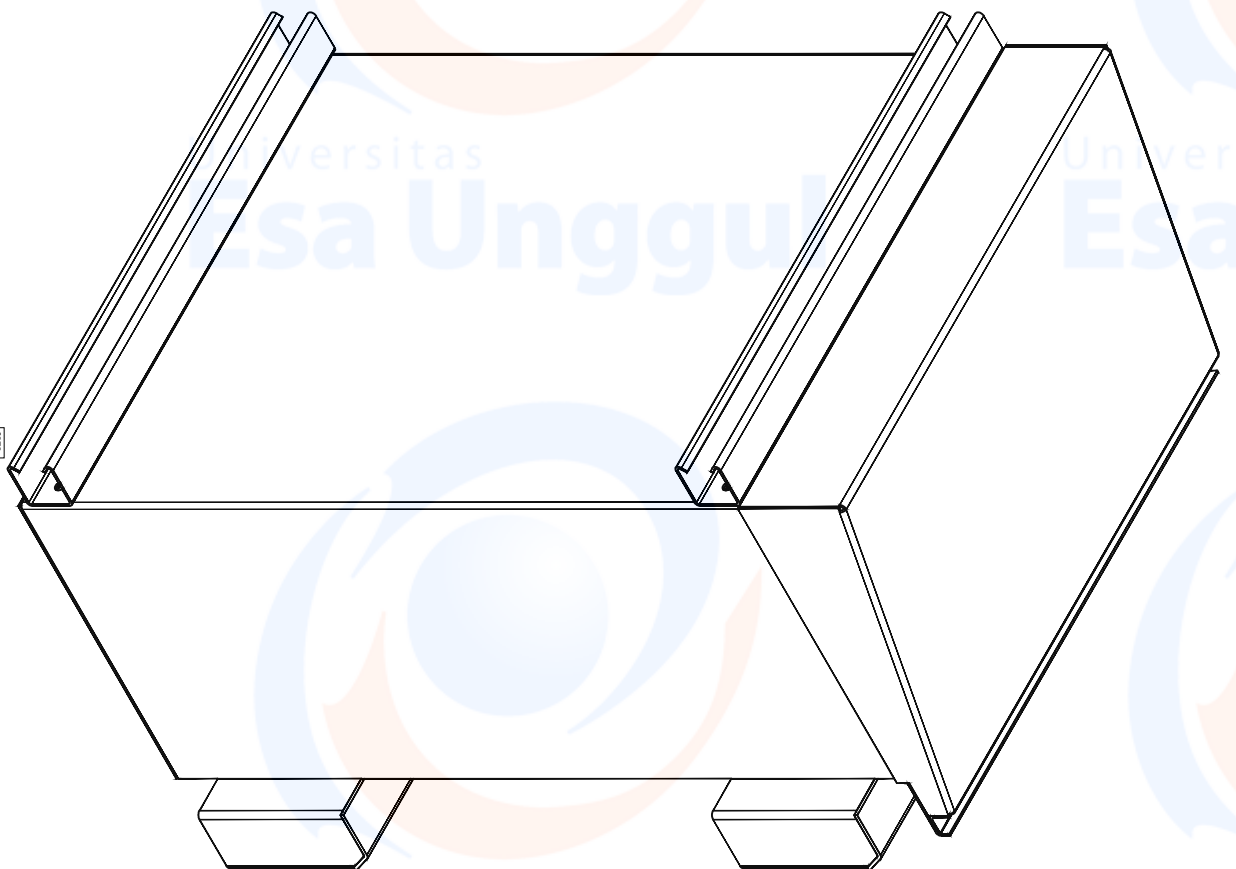
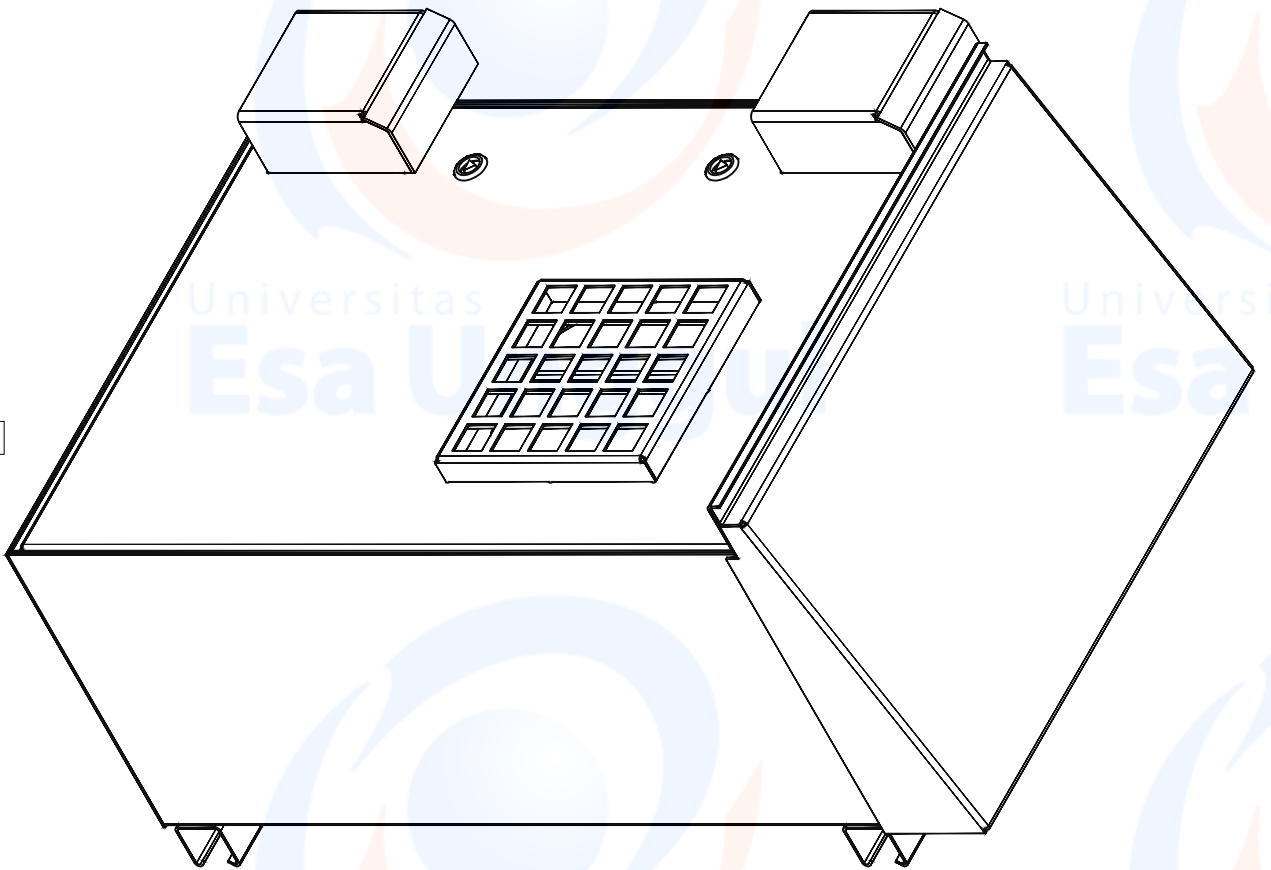
CHECKED

TOLERANCE : STD

SCALE : 1 : 1

APPROVED

SHEET : 2/8



NO. SPK :



PT. CIPTA PESONA TEKNIK

PROJECT :

KWH DOUBLE PETLOCK

TITLE :

OD 500x700x300

REVISI

DATE

PARAF

DESIGN

NR

Projection
All dimension in MILLIMETER

DRAWING

NR

TOLERANCE : STD

CHECKED

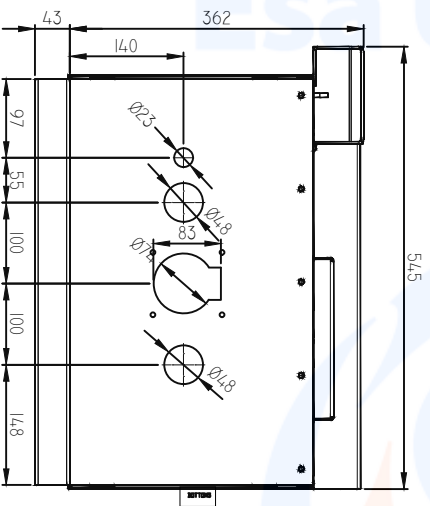
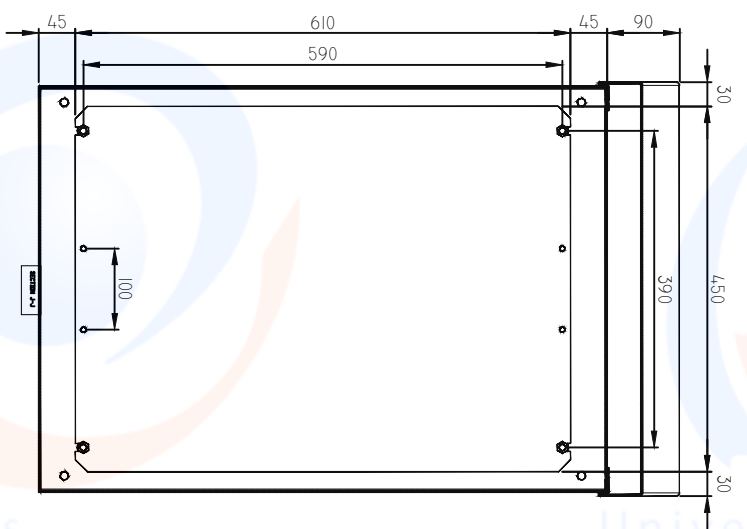
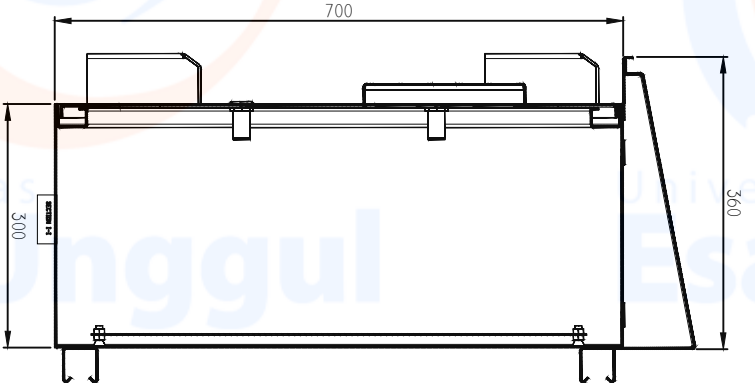
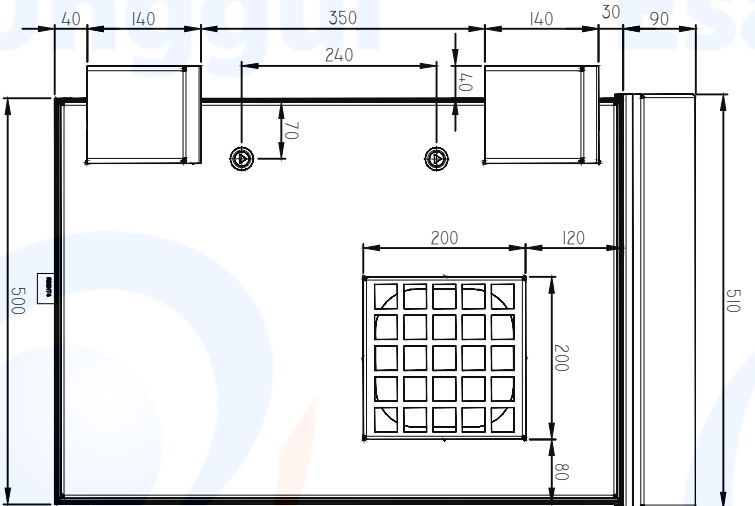
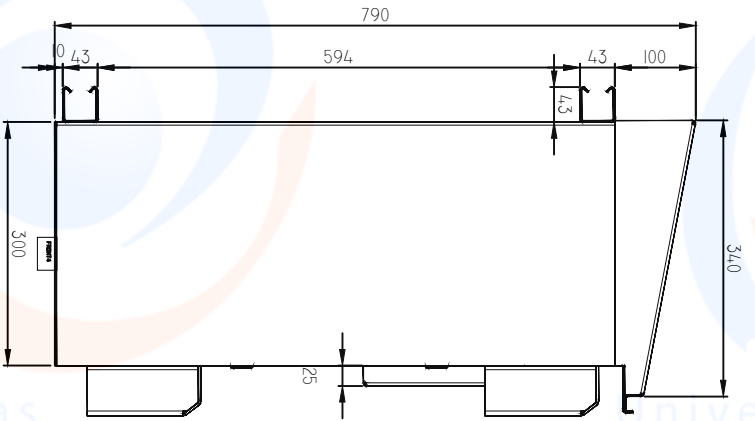
SHEET : 2/8

This Drawing Belong To
PT. CIPTA PESONA TEKNIK
All Right Reserved

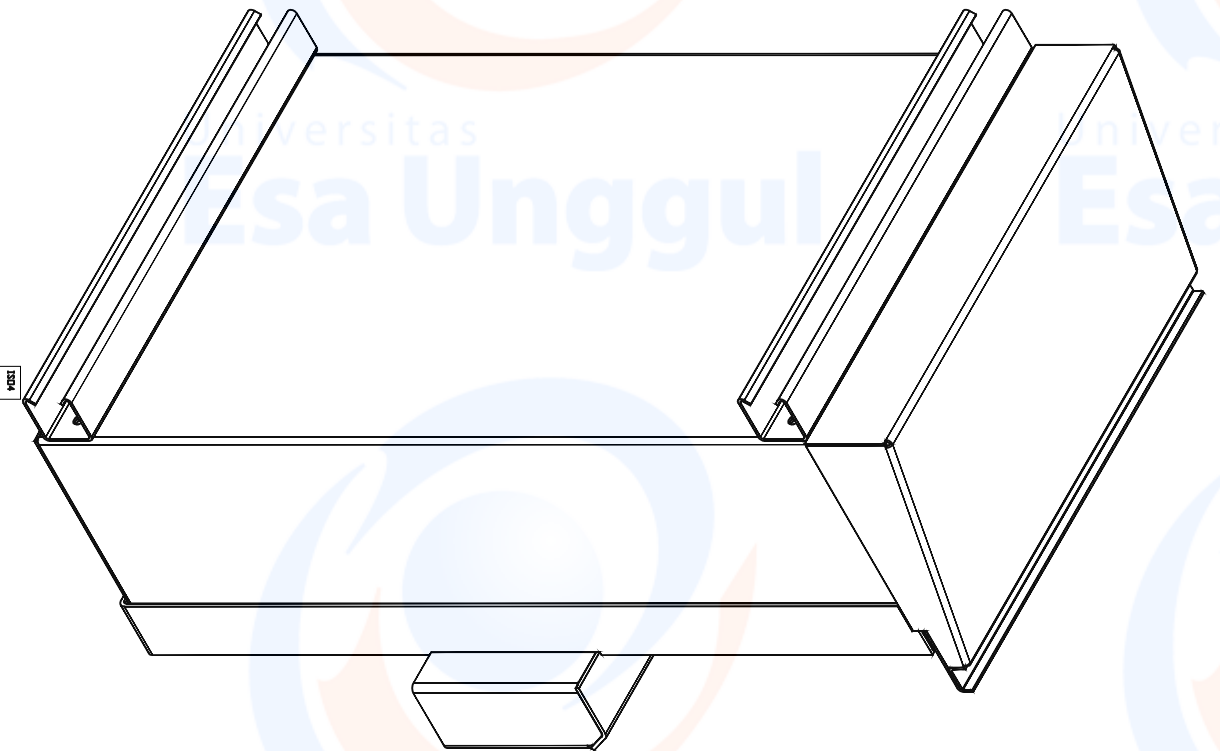
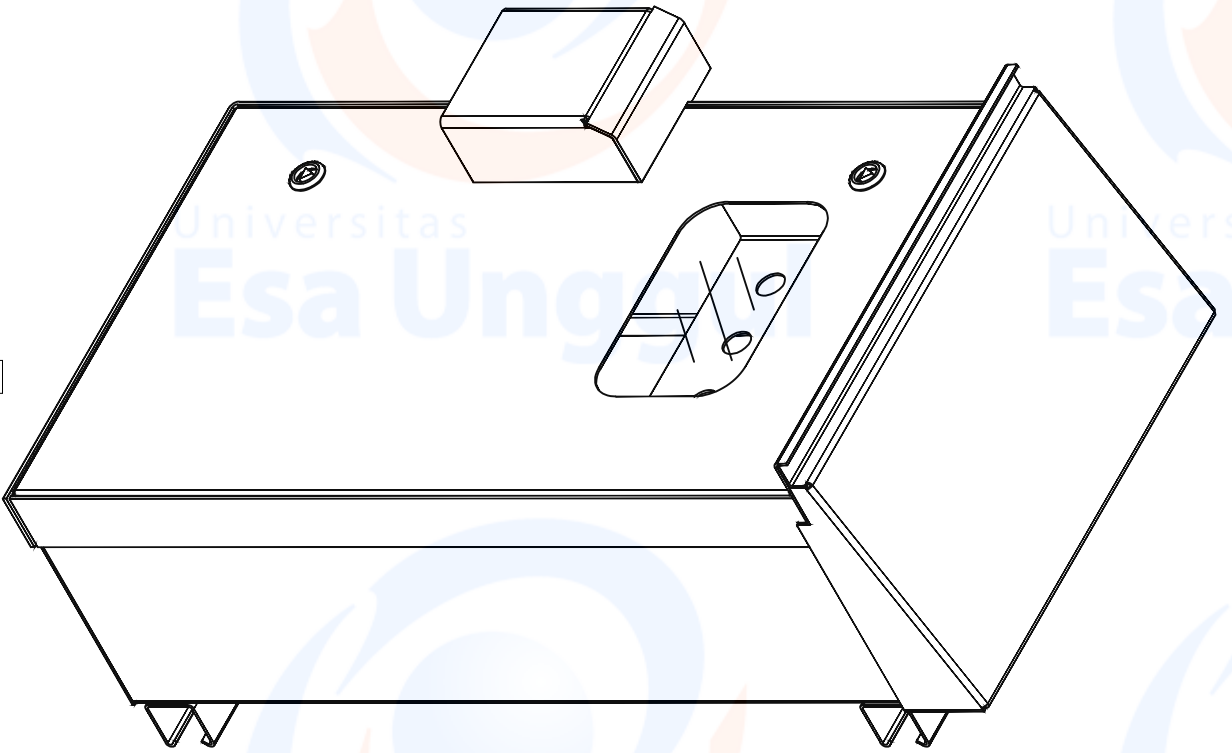
SCALE : 1 : 1

APPROVED

SHEET : 2/8



NO. SPK :		PROJECT :		DATE :		PARAF :		This Drawing Belong To		DESIGN :		NR :		Projection	
PT. CIPTA PESONA TEKNIK		KWH DOUBLE PETLOCK						PT. CIPTA PESONA TEKNIK		DRAWING :		NR :		All dimension in MILLIMETER	
Office: Perum Graha Pesona Citra Raya Jl. Wijaya 5 Block W.17 No.5-Tangerang-Banten.		TITLE :						All Right Reserved		CHECKED :				TOLERANCE : STD	
OD 500x700x300		REVISI :						SCALE : 1 : 1		APPROVED :				SHEET : 2/8	



NO. SPK :



PT. CIPITA PESONA TEKNIK

PROJECT :

PANEL OD MACRO 3PHASE

TITLE :

400x700x210

REVISI

DATE

PARAF

This Drawing Belong To
PT. CIPITA PESONA TEKNIK
All Right Reserved

DESIGN

NR

DRAWING

NR

CHECKED

TOLERANCE : STD

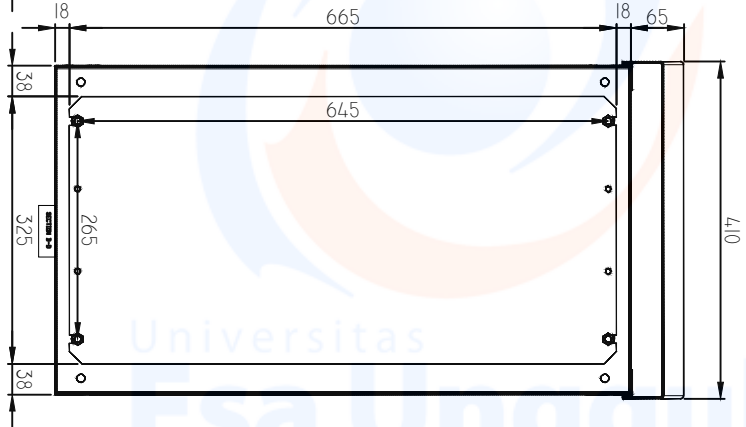
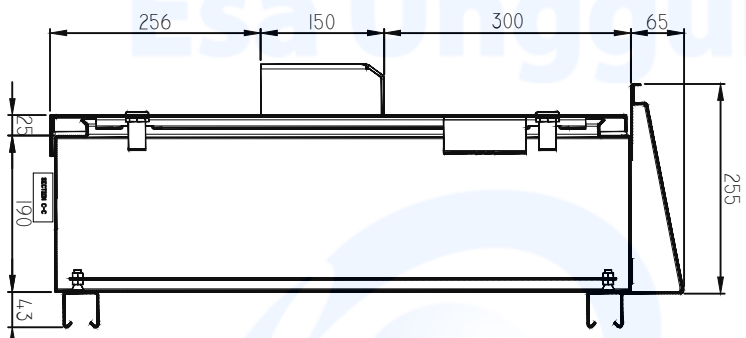
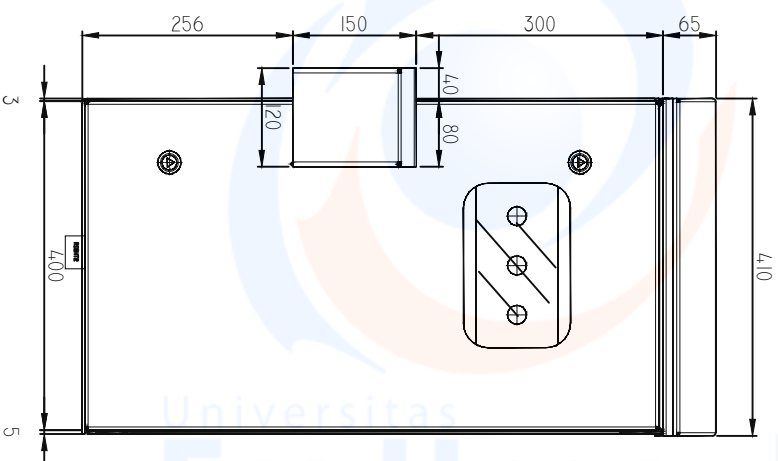
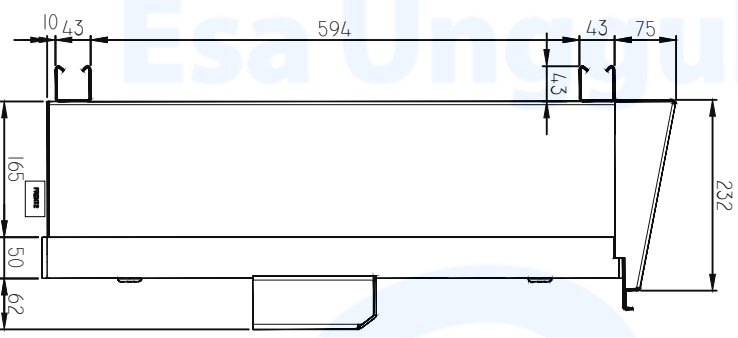
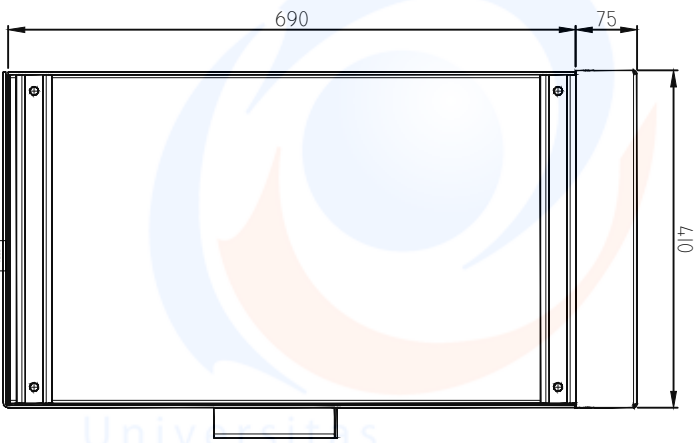
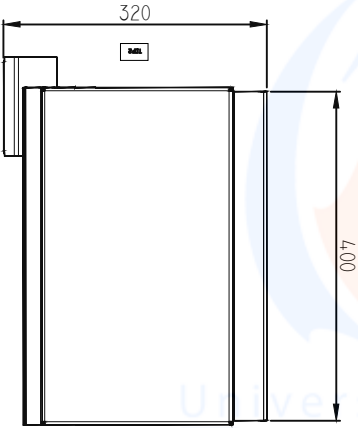
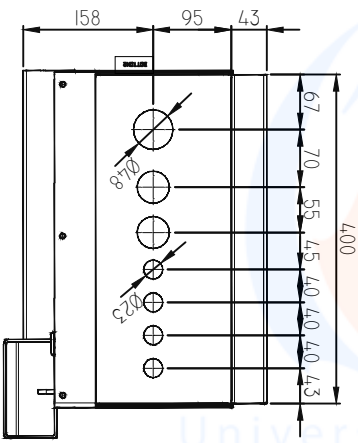
SCALE : 1 : 1

APPROVED

SHEET : 1/8



All dimension in MILLIMETER



NO. SPK : _____

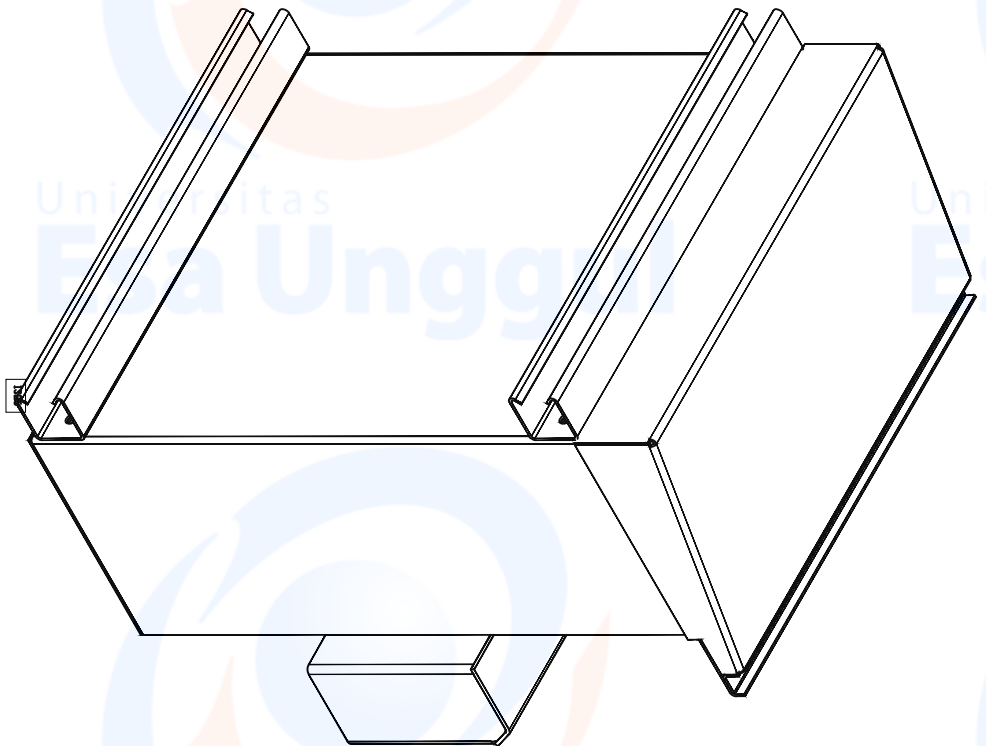
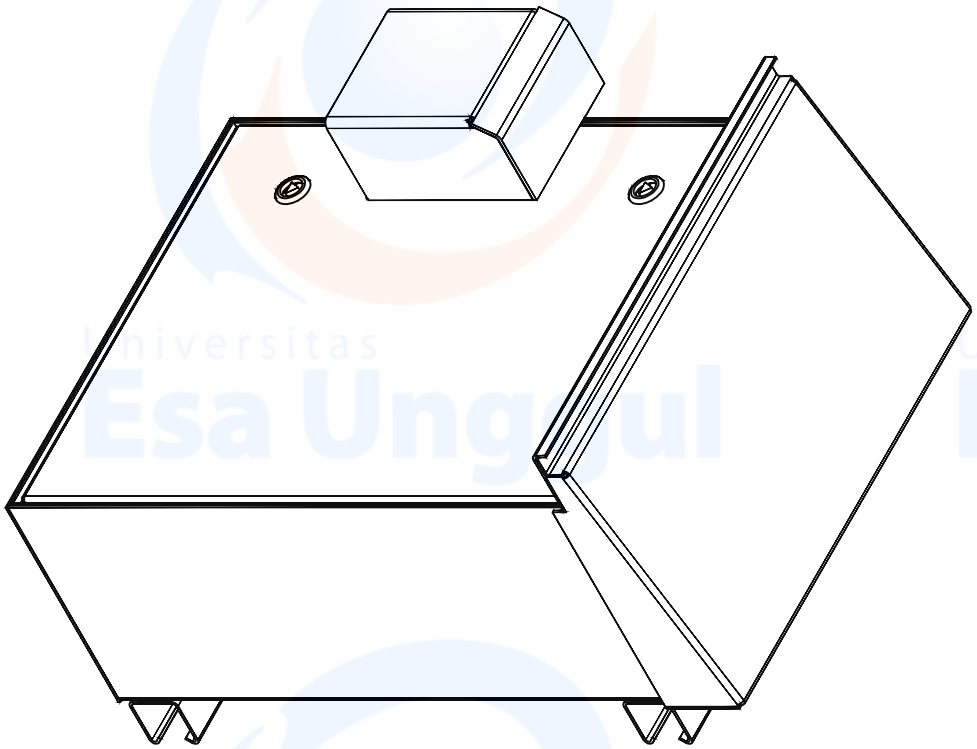
PROJECT : **PANEL OD MACRO 3PHASE**
 TITLE : **400x700x210**

REVISI	
DATE	PARAF

This Drawing Belong To
PT. CIPTA PESONA TEKNIK
 All Right Reserved
 SCALE : 1 : 1

DESIGN	NR
DRAWING	NR
CHECKED	
APPROVED	

Projection
 All dimension in MILLIMETER
 TOLERANCE : STD
 SHEET : 2/8



NO. SPK :



PROJECT :

BOX OD ISAT/XL

TITLE :

400x500x200

REVISI

DATE

18-6-2019

PARAF

This Drawing Belong To
PT. CIPTA PESONA TEKNIK
All Right Reserved

SCALE : 1 : 1

DESIGN

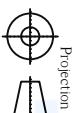
NR

DRAWING

NR

CHECKED

APPROVED

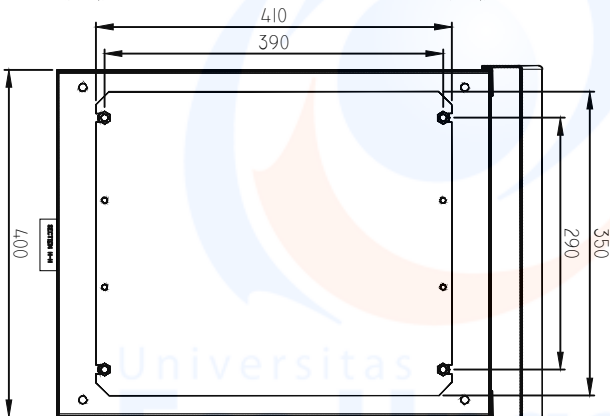
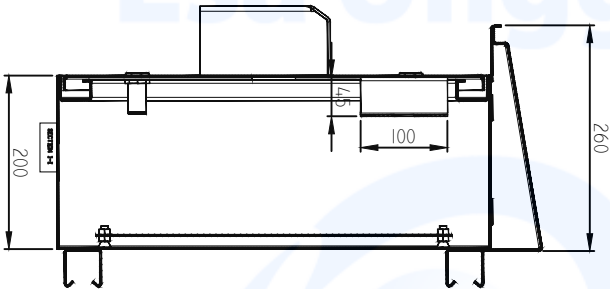
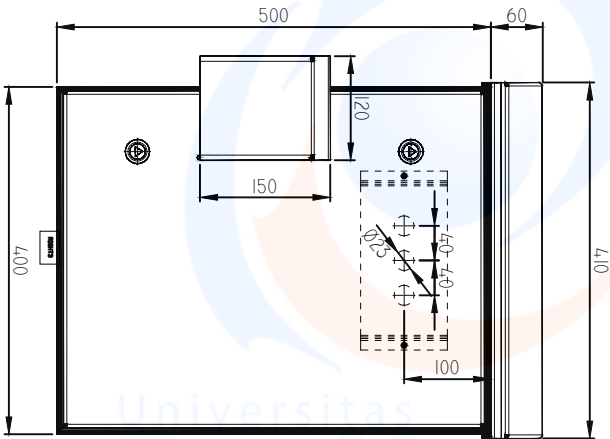
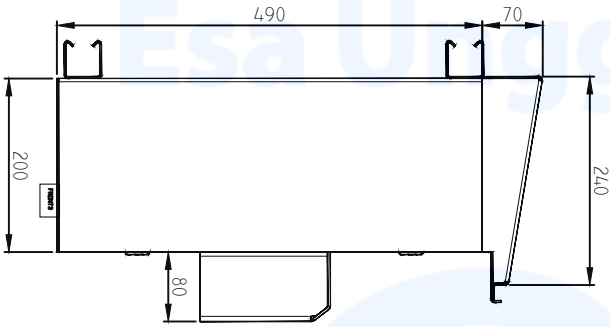
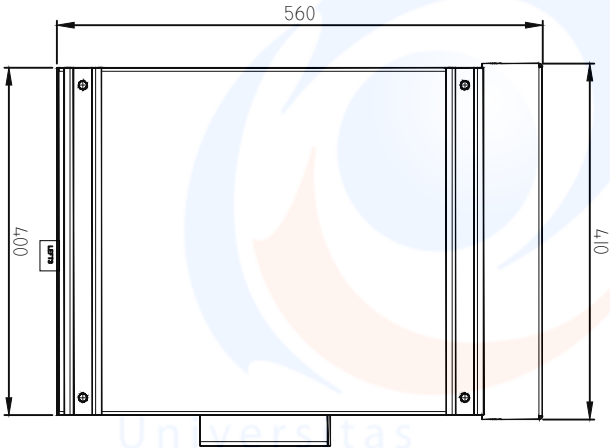
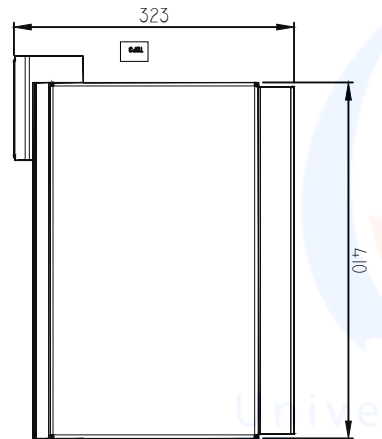
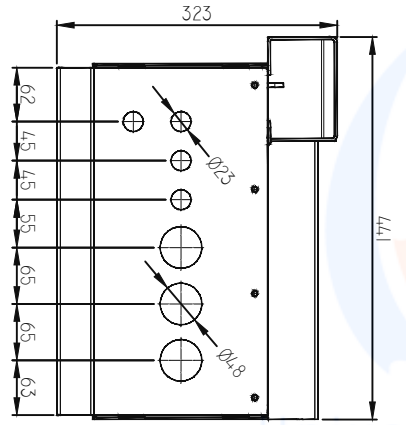


Projection

All dimension in MILLIMETER

TOLERANCE : STD

SHEET : 1/2



NO. SPK :

PROJECT :

BOX OD ISAT/XL

TITLE :

400x500x200

REVISI

DATE

18-6-2019

PARAF

This Drawing Belong To
PT. CIPTA PESONA TEKNIK
All Right Reserved

DESIGN

DRAWING

NR

NR

Checked
TOLERANCE : STD

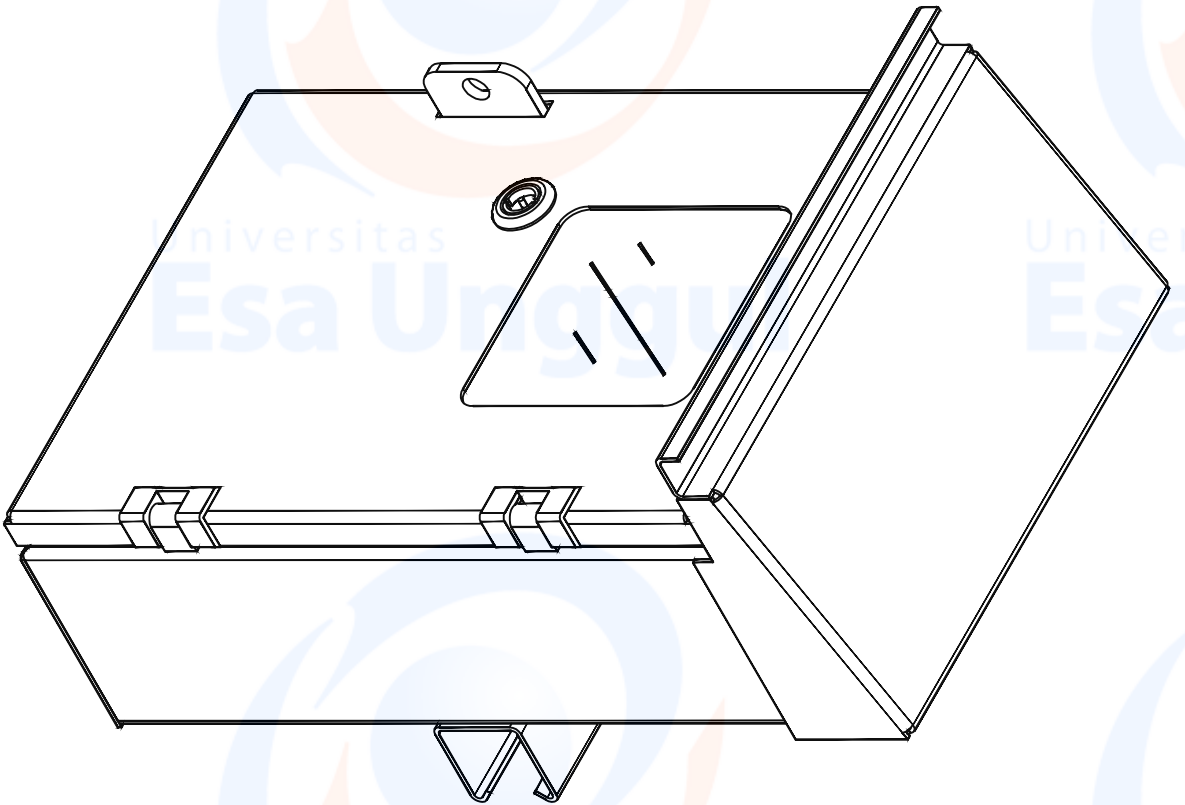
CHECKED

SHEET : 2/2

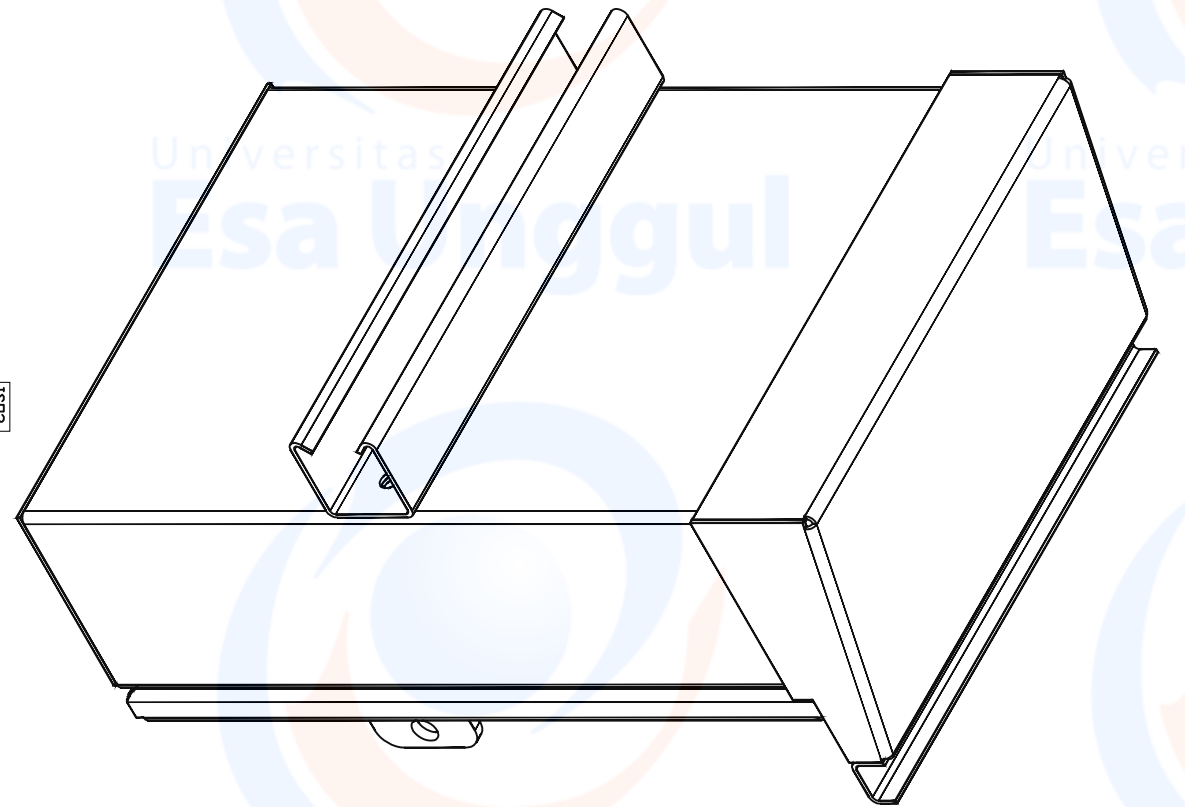
APPROVED



PT. CIPTA PESONA TEKNIK



ISD1



ISD2

NO. SPK :

PROJECT :

PANEL OD OBL

TITLE :

OD 350x250x120

REVISI

DATE

PARAF

This Drawing Belong To
PT. CIPTA PESONA TEKNIK
All Right Reserved

DESIGN

NR

DRAWING

NR

CHECKED

TOLERANCE : STD

SCALE : 1 : 1

APPROVED

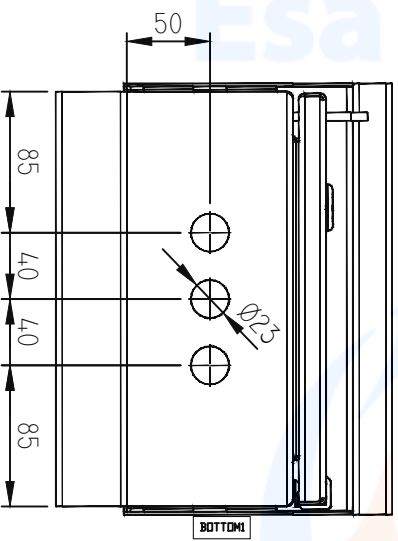
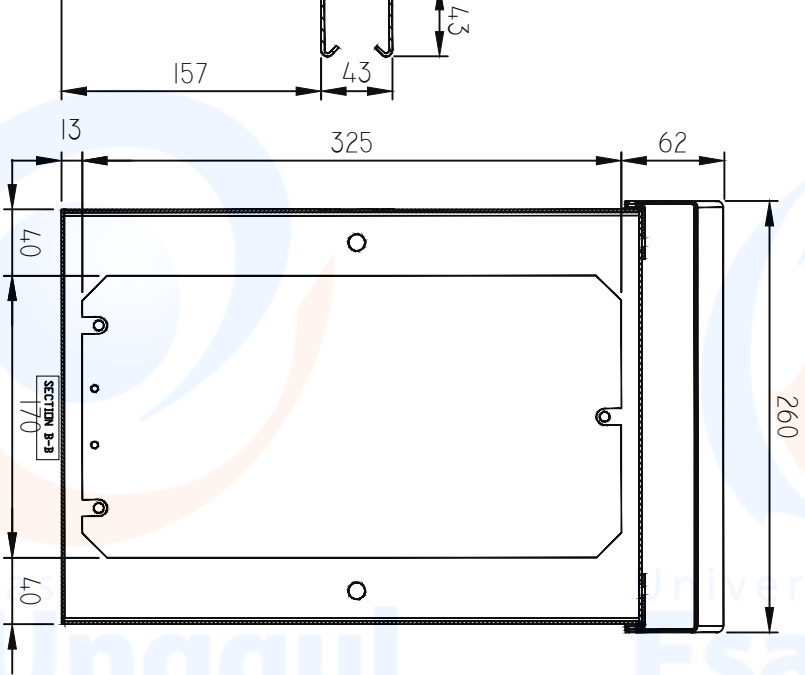
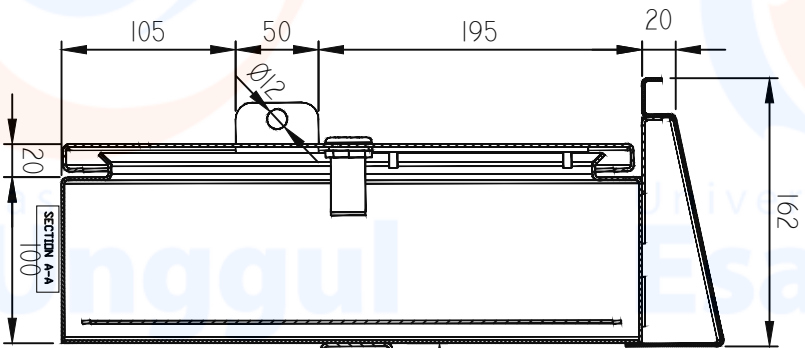
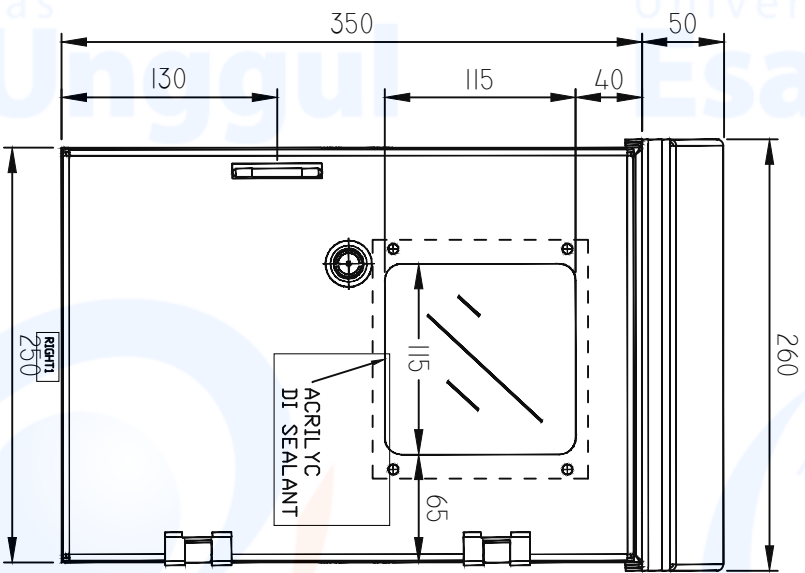
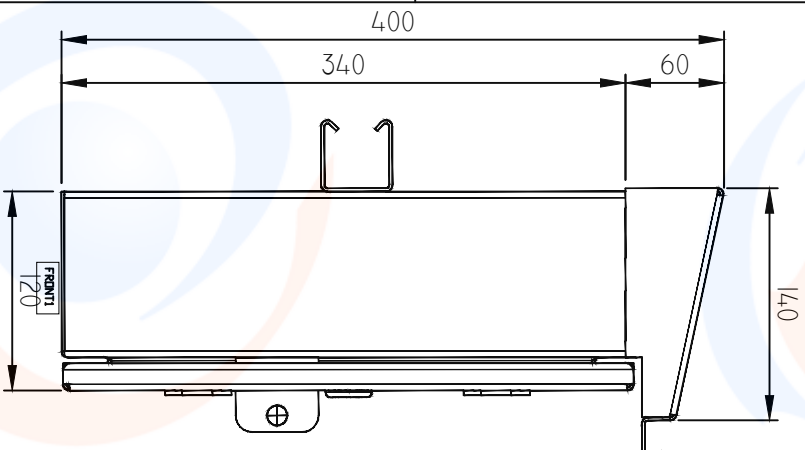
SHEET : 1/2



All dimension in MILLIMETER



PT. CIPTA PESONA TEKNIK



NO. SPK : _____

PROJECT :

PANEL OD OBL

TITLE :

OD 350x250x120

REVISI

DATE

PARAF

This Drawing Belong To
PT. CIPTA PESONA TEKNIK

DESIGN

NR

Projection

All Right Reserved

CHECKED

NR

TOLERANCE : STD

SCALE : 1 : 1

APPROVED

SHEET : 2/2



PT. CIPTA PESONA TEKNIK

PERHITUNGAN TOTAL WAKTU PROSES METODE BRANCH AND BOUND

Iterasi
2

Job	M1	M2	M3	M4	Job	M1		M2		M3		M4	
						Mulai	Selesai	Mulai	Selesai	Mulai	Selesai	Mulai	Selesai
1	4.6	4.1	3.5	2.7	1	0.0	4.6	4.6	8.7	8.7	12.2	12.2	14.9
2	4.4	6.8	5.4	2.3	2	4.6	8.9	8.9	15.8	15.8	21.1	21.1	23.5

Job	M1	M2	M3	M4	Job	M1		M2		M3		M4	
						Mulai	Selesai	Mulai	Selesai	Mulai	Selesai	Mulai	Selesai
1	4.6	4.1	3.5	2.7	1	0.0	4.6	4.6	8.7	8.7	12.2	12.2	14.9
3	15.1	15.2	16.7	9.6	3	4.6	19.7	19.7	34.9	34.9	51.6	51.6	61.2

Job	M1	M2	M3	M4	Job	M1		M2		M3		M4	
						Mulai	Selesai	Mulai	Selesai	Mulai	Selesai	Mulai	Selesai
1	4.6	4.1	3.5	2.7	1	0.0	4.6	4.6	8.7	8.7	12.2	12.2	14.9
4	21.3	15.9	19.4	9.3	4	4.6	25.9	25.9	41.9	41.9	61.3	61.3	70.6

Job	M1	M2	M3	M4	Job	M1		M2		M3		M4	
						Mulai	Selesai	Mulai	Selesai	Mulai	Selesai	Mulai	Selesai
1	4.6	4.1	3.5	2.7	1	0.0	4.6	4.6	8.7	8.7	12.2	12.2	14.9
5	11.8	14.0	12.7	7.8	5	4.6	16.4	16.4	30.4	30.4	43.2	43.2	50.9

Job	M1	M2	M3	M4	Job	M1		M2		M3		M4	
						Mulai	Selesai	Mulai	Selesai	Mulai	Selesai	Mulai	Selesai
1	4.6	4.1	3.5	2.7	1	0.0	4.6	4.6	8.7	8.7	12.2	12.2	14.9
6	24.5	16.3	25.0	10.0	6	4.6	29.1	29.1	45.5	45.5	70.5	70.5	80.5

Iterasi
3

Job	M1	M2	M3	M4	Job	M1		M2		M3		M4	
						Mulai	Selesai	Mulai	Selesai	Mulai	Selesai	Mulai	Selesai
1	4.6	4.1	3.5	2.7	1	0.0	4.6	4.6	8.7	8.7	12.2	12.2	14.9
5	11.8	14.0	12.7	7.8	5	4.6	16.4	16.4	30.4	30.4	43.2	43.2	50.9
2	4.4	6.8	5.4	2.3	2	16.4	20.8	30.4	37.2	43.2	48.5	50.9	53.3

Job	M1	M2	M3	M4	Job	M1		M2		M3		M4	
						Mulai	Selesai	Mulai	Selesai	Mulai	Selesai	Mulai	Selesai
1	4.6	4.1	3.5	2.7	1	0.0	4.6	4.6	8.7	8.7	12.2	12.2	14.9
5	11.8	14.0	12.7	7.8	5	4.6	16.4	16.4	30.4	30.4	43.2	43.2	50.9
3	15.1	15.2	16.7	9.6	3	16.4	31.6	31.6	46.7	46.7	63.4	63.4	73.0

Job	M1				M2				M3				M4			
	M1	M2	M3	M4	Mulai	Selesai	Mulai	Selesai	Mulai	Selesai	Mulai	Selesai	Mulai	Selesai		
1	4.6	14.0	12.7	7.8	1	0.0	4.6	4.6	18.6	18.6	31.3	31.3	39.1			
5	11.8	16.3	25.0	10.0	5	4.6	16.4	18.6	34.9	34.9	59.9	59.9	69.9			
4	21.3	15.9	19.4	9.3	4	16.4	37.8	37.8	53.7	59.9	79.4	79.4	88.7			

Job	M1				M2				M3				M4			
	M1	M2	M3	M4	Mulai	Selesai	Mulai	Selesai	Mulai	Selesai	Mulai	Selesai	Mulai	Selesai		
1	4.6	4.1	3.5	2.7	1	0.0	4.6	4.6	8.7	8.7	12.2	12.2	14.9			
5	11.8	14.0	12.7	7.8	5	4.6	16.4	16.4	30.4	30.4	43.2	43.2	50.9			
6	24.5	16.3	25.0	10.0	6	16.4	41.0	41.0	57.3	57.3	82.3	82.3	92.3			

Iterasi 4

Job	M1				M2				M3				M4			
	M1	M2	M3	M4	Mulai	Selesai	Mulai	Selesai	Mulai	Selesai	Mulai	Selesai	Mulai	Selesai		
1	4.6	4.1	3.5	2.7	1	0.0	4.6	4.6	8.7	8.7	12.2	12.2	14.9			
5	11.8	14.0	12.7	7.8	5	4.6	16.4	16.4	30.4	30.4	43.2	43.2	50.9			
3	15.1	15.2	16.7	9.6	3	16.4	31.6	31.6	46.7	46.7	63.4	63.4	73.0			
2	4.4	6.8	5.4	2.3	2	31.6	35.9	46.7	53.5	63.4	68.8	73.0	75.3			

Job	M1				M2				M3				M4			
	M1	M2	M3	M4	Mulai	Selesai	Mulai	Selesai	Mulai	Selesai	Mulai	Selesai	Mulai	Selesai		
1	4.6	4.1	3.5	2.7	1	0.0	4.6	4.6	8.7	8.7	12.2	12.2	14.9			
5	11.8	14.0	12.7	7.8	5	4.6	16.4	16.4	30.4	30.4	43.2	43.2	50.9			
3	15.1	15.2	16.7	9.6	3	16.4	31.6	31.6	46.7	46.7	63.4	63.4	73.0			
4	21.3	15.9	19.4	9.3	4	31.6	52.9	52.9	68.9	68.9	88.3	88.3	97.6			

Job	M1				M2				M3				M4			
	M1	M2	M3	M4	Mulai	Selesai	Mulai	Selesai	Mulai	Selesai	Mulai	Selesai	Mulai	Selesai		
1	4.6	4.1	3.5	2.7	1	0.0	4.6	4.6	8.7	8.7	12.2	12.2	14.9			
5	11.8	14.0	12.7	7.8	5	4.6	16.4	16.4	30.4	30.4	43.2	43.2	50.9			
3	15.1	15.2	16.7	9.6	3	16.4	31.6	31.6	46.7	46.7	63.4	63.4	73.0			
6	24.5	16.3	25.0	10.0	6	31.6	56.1	56.1	72.4	72.4	97.4	97.4	107.4			

Iterasi
5

Job	M1	M2	M3	M4	Job	M1		M2		M3		M4	
						Mulai	Selesai	Mulai	Selesai	Mulai	Selesai	Mulai	Selesai
1	4.6	4.1	3.5	2.7	1	0.0	4.6	4.6	8.7	8.7	12.2	12.2	14.9
5	11.8	14.0	12.7	7.8	5	4.6	16.4	16.4	30.4	30.4	43.2	43.2	50.9
3	15.1	15.2	16.7	9.6	3	16.4	31.6	31.6	46.7	46.7	63.4	63.4	73.0
4	21.3	15.9	19.4	9.3	4	31.6	52.9	52.9	68.9	68.9	88.3	88.3	97.6
2	4.4	6.8	5.4	2.3	2	52.9	57.3	68.9	75.7	88.3	93.7	97.6	100.0

Job	M1	M2	M3	M4	Job	M1		M2		M3		M4	
						Mulai	Selesai	Mulai	Selesai	Mulai	Selesai	Mulai	Selesai
1	4.6	4.1	3.5	2.7	1	0.0	4.6	4.6	8.7	8.7	12.2	12.2	14.9
5	11.8	14.0	12.7	7.8	5	4.6	16.4	16.4	30.4	30.4	43.2	43.2	50.9
3	15.1	15.2	16.7	9.6	3	16.4	31.6	31.6	46.7	46.7	63.4	63.4	73.0
4	21.3	15.9	19.4	9.3	4	31.6	52.9	52.9	68.9	68.9	88.3	88.3	97.6
6	24.5	16.3	25.0	10.0	6	52.9	77.4	77.4	93.8	93.8	118.8	118.8	128.8

PERHITUNGAN TOTAL WAKTU PROSES METODE NEH

JOB 1,2

Job	M1	M2	M3	M4		Mulai	Selesai	Mulai	Selesai	Mulai	Selesai	Mulai	Selesai
1	4.6	4.1	3.5	2.7	1	0.0	4.6	4.6	8.7	8.7	12.2	12.2	14.9
2	4.4	6.8	5.4	2.3	2	4.6	8.9	8.9	15.8	15.8	21.1	21.1	23.5
Job	M1	M2	M3	M4		Mulai	Selesai	Mulai	Selesai	Mulai	Selesai	Mulai	Selesai
2	4.4	6.8	5.4	2.3	2	0.0	4.4	4.4	11.2	11.2	16.5	16.5	18.9
1	4.6	4.1	3.5	2.7	1	4.4	8.9	11.2	15.2	16.5	20.0	20.0	22.7

Urutan 2 - 1

+ JOB 5

Job	M1	M2	M3	M4		Mulai	Selesai	Mulai	Selesai	Mulai	Selesai	Mulai	Selesai
5	11.8	14.0	12.7	7.8	5	0.0	11.8	11.8	25.8	25.8	38.6	38.6	46.3
2	4.4	6.8	5.4	2.3	2	11.8	16.2	25.8	32.6	38.6	44.0	46.3	48.7
1	4.6	4.1	3.5	2.7	1	16.2	20.8	32.6	36.7	44.0	47.5	48.7	51.4
Job	M1	M2	M3	M4		Mulai	Selesai	Mulai	Selesai	Mulai	Selesai	Mulai	Selesai
2	4.4	6.8	5.4	2.3	2	0.0	4.4	4.4	11.2	11.2	16.5	16.5	18.9
5	11.8	14.0	12.7	7.8	5	4.4	16.2	16.2	30.2	30.2	42.9	42.9	50.7
1	4.6	4.1	3.5	2.7	1	16.2	20.8	30.2	34.3	42.9	46.4	50.7	53.4
Job	M1	M2	M3	M4		Mulai	Selesai	Mulai	Selesai	Mulai	Selesai	Mulai	Selesai
2	4.4	6.8	5.4	2.3	2	0.0	4.4	4.4	11.2	11.2	16.5	16.5	18.9
1	4.6	4.1	3.5	2.7	1	4.4	8.9	11.2	15.2	16.5	20.0	20.0	22.7
5	11.8	14.0	12.7	7.8	5	8.9	20.8	20.8	34.8	34.8	47.5	47.5	55.3

Urutan 5 - 2 - 1

+ JOB 4

Job	M1	M2	M3	M4		Mulai	Selesai	Mulai	Selesai	Mulai	Selesai	Mulai	Selesai
4	21.3	15.9	19.4	9.3	4	0.0	21.3	21.3	37.3	37.3	56.7	56.7	66.1
5	11.8	14.0	12.7	7.8	5	21.3	33.2	37.3	51.3	56.7	69.4	69.4	77.2
2	4.4	6.8	5.4	2.3	2	33.2	37.5	51.3	58.1	69.4	74.8	77.2	79.6
1	4.6	4.1	3.5	2.7	1	37.5	42.1	58.1	62.2	74.8	78.3	79.6	82.3
Job	M1	M2	M3	M4		Mulai	Selesai	Mulai	Selesai	Mulai	Selesai	Mulai	Selesai
5	11.8	14.0	12.7	7.8	5	0.0	11.8	11.8	25.8	25.8	38.6	38.6	46.3
4	21.3	15.9	19.4	9.3	4	11.8	33.2	33.2	49.1	49.1	68.6	68.6	77.9
2	4.4	6.8	5.4	2.3	2	33.2	37.5	49.1	55.9	68.6	74.0	77.9	80.2
1	4.6	4.1	3.5	2.7	1	37.5	42.1	55.9	60.0	74.0	77.5	80.2	82.9

Job	M1	M2	M3	M4		Mulai	Selesai	Mulai	Selesai	Mulai	Selesai	Mulai	Selesai
5	11.8	14.0	12.7	7.8	5	0.0	11.8	11.8	25.8	25.8	38.6	38.6	46.3
2	4.4	6.8	5.4	2.3	2	11.8	16.2	25.8	32.6	38.6	44.0	46.3	48.7
4	21.3	15.9	19.4	9.3	4	16.2	37.5	37.5	53.5	53.5	72.9	72.9	82.3
1	4.6	4.1	3.5	2.7	1	37.5	42.1	53.5	57.6	72.9	76.4	82.3	84.9

Job	M1	M2	M3	M4		Mulai	Selesai	Mulai	Selesai	Mulai	Selesai	Mulai	Selesai
5	11.8	14.0	12.7	7.8	5	0.0	11.8	11.8	25.8	25.8	38.6	38.6	46.3
2	4.4	6.8	5.4	2.3	2	11.8	16.2	25.8	32.6	38.6	44.0	46.3	48.7
1	4.6	4.1	3.5	2.7	1	16.2	20.8	32.6	36.7	44.0	47.5	48.7	51.4
4	21.3	15.9	19.4	9.3	4	20.8	42.1	42.1	58.1	58.1	77.5	77.5	86.8

Urutan 4 - 5 - 2 - 1 + JOB 3

Job	M1	M2	M3	M4		Mulai	Selesai	Mulai	Selesai	Mulai	Selesai	Mulai	Selesai
3	15.1	15.2	16.7	9.6	3	0.0	15.1	15.1	30.3	30.3	47.0	47.0	56.6
4	21.3	15.9	19.4	9.3	4	15.1	36.5	36.5	52.4	52.4	71.9	71.9	81.2
5	11.8	14.0	12.7	7.8	5	36.5	48.3	52.4	66.4	71.9	84.6	84.6	92.4
2	4.4	6.8	5.4	2.3	2	48.3	52.7	66.4	73.2	84.6	90.0	92.4	94.7
1	4.6	4.1	3.5	2.7	1	52.7	57.3	73.2	77.3	90.0	93.5	94.7	97.4

Job	M1	M2	M3	M4		Mulai	Selesai	Mulai	Selesai	Mulai	Selesai	Mulai	Selesai
4	21.3	15.9	19.4	9.3	4	0.0	21.3	21.3	37.3	37.3	56.7	56.7	66.1
3	15.1	15.2	16.7	9.6	3	21.3	36.5	37.3	52.4	56.7	73.4	73.4	83.0
5	11.8	14.0	12.7	7.8	5	36.5	48.3	52.4	66.4	73.4	86.1	86.1	93.9
2	4.4	6.8	5.4	2.3	2	48.3	52.7	66.4	73.3	86.1	91.5	93.9	96.2
1	4.6	4.1	3.5	2.7	1	52.7	57.3	73.3	77.3	91.5	95.0	96.2	98.9

Job	M1	M2	M3	M4		Mulai	Selesai	Mulai	Selesai	Mulai	Selesai	Mulai	Selesai
4	21.3	15.9	19.4	9.3	4	0.0	21.3	21.3	37.3	37.3	56.7	56.7	66.1
5	11.8	14.0	12.7	7.8	5	21.3	33.2	37.3	51.3	56.7	69.4	69.4	77.2
3	15.1	15.2	16.7	9.6	3	33.2	48.3	51.3	66.4	69.4	86.1	86.1	95.7
2	4.4	6.8	5.4	2.3	2	48.3	52.7	66.4	73.3	86.1	91.5	95.7	98.0
1	4.6	4.1	3.5	2.7	1	52.7	57.3	73.3	77.3	91.5	95.0	98.0	100.7

Job	M1	M2	M3	M4		Mulai	Selesai	Mulai	Selesai	Mulai	Selesai	Mulai	Selesai
4	21.3	15.9	19.4	9.3	4	0.0	21.3	21.3	37.3	37.3	56.7	56.7	66.1
5	11.8	14.0	12.7	7.8	5	21.3	33.2	37.3	51.3	56.7	69.4	69.4	77.2
2	4.4	6.8	5.4	2.3	2	33.2	37.5	51.3	58.1	69.4	74.8	77.2	79.6
3	15.1	15.2	16.7	9.6	3	37.5	52.7	58.1	73.3	74.8	91.5	91.5	101.1
1	4.6	4.1	3.5	2.7	1	52.7	57.3	73.3	77.3	91.5	95.0	101.1	103.8

Job	M1	M2	M3	M4		Mulai	Selesai	Mulai	Selesai	Mulai	Selesai	Mulai	Selesai
4	21.3	15.9	19.4	9.3	4	0.0	21.3	21.3	37.3	37.3	56.7	56.7	66.1
5	11.8	14.0	12.7	7.8	5	21.3	33.2	37.3	51.3	56.7	69.4	69.4	77.2
2	4.4	6.8	5.4	2.3	2	33.2	37.5	51.3	58.1	69.4	74.8	77.2	79.6
1	4.6	4.1	3.5	2.7	1	37.5	42.1	58.1	62.2	74.8	78.3	79.6	82.3
3	15.1	15.2	16.7	9.6	3	42.1	57.3	62.2	77.3	78.3	95.0	95.0	104.6

Urutan 3 - 4 - 5 - 2 - 1 + JOB 6

Job	M1	M2	M3	M4		Mulai	Selesai	Mulai	Selesai	Mulai	Selesai	Mulai	Selesai
6	24.5	16.3	25.0	10.0	6	0.0	24.5	24.5	40.9	40.9	65.9	65.9	75.9
3	15.1	15.2	16.7	9.6	3	24.5	39.7	40.9	56.0	65.9	82.5	82.5	92.1
4	21.3	15.9	19.4	9.3	4	39.7	61.0	61.0	77.0	82.5	102.0	102.0	111.3
5	11.8	14.0	12.7	7.8	5	61.0	72.9	77.0	91.0	102.0	114.7	114.7	122.5
2	4.4	6.8	5.4	2.3	2	72.9	77.2	91.0	97.8	114.7	120.1	122.5	124.8
1	4.6	4.1	3.5	2.7	1	77.2	81.8	97.8	101.8	120.1	123.6	124.8	127.5

Job	M1	M2	M3	M4		Mulai	Selesai	Mulai	Selesai	Mulai	Selesai	Mulai	Selesai
3	15.1	15.2	16.7	9.6	3	0.0	15.1	15.1	30.3	30.3	47.0	47.0	56.6
6	24.5	16.3	25.0	10.0	6	15.1	39.7	39.7	56.0	56.0	81.0	81.0	91.0
4	21.3	15.9	19.4	9.3	4	39.7	61.0	61.0	77.0	81.0	100.5	100.5	109.8
5	11.8	14.0	12.7	7.8	5	61.0	72.9	77.0	91.0	100.5	113.2	113.2	121.0
2	4.4	6.8	5.4	2.3	2	72.9	77.2	91.0	97.8	113.2	118.6	121.0	123.3
1	4.6	4.1	3.5	2.7	1	77.2	81.8	97.8	101.8	118.6	122.1	123.3	126.0

Job	M1	M2	M3	M4		Mulai	Selesai	Mulai	Selesai	Mulai	Selesai	Mulai	Selesai
3	15.1	15.2	16.7	9.6	3	0.0	15.1	15.1	30.3	30.3	47.0	47.0	56.6
4	21.3	15.9	19.4	9.3	4	15.1	36.5	36.5	52.4	52.4	71.9	71.9	81.2
6	24.5	16.3	25.0	10.0	6	36.5	61.0	61.0	77.3	77.3	102.3	102.3	112.3
5	11.8	14.0	12.7	7.8	5	61.0	72.9	77.3	91.3	102.3	115.1	115.1	122.9
2	4.4	6.8	5.4	2.3	2	72.9	77.2	91.3	98.2	115.1	120.5	122.9	125.2
1	4.6	4.1	3.5	2.7	1	77.2	81.8	98.2	102.2	120.5	124.0	125.2	127.9

Job	M1	M2	M3	M4		Mulai	Selesai	Mulai	Selesai	Mulai	Selesai	Mulai	Selesai
3	15.1	15.2	16.7	9.6	3	0.0	15.1	15.1	30.3	30.3	47.0	47.0	56.6
4	21.3	15.9	19.4	9.3	4	15.1	36.5	36.5	52.4	52.4	71.9	71.9	81.2
5	11.8	14.0	12.7	7.8	5	36.5	48.3	52.4	66.4	71.9	84.6	84.6	92.4
6	24.5	16.3	25.0	10.0	6	48.3	72.9	72.9	89.2	89.2	114.2	114.2	124.2
2	4.4	6.8	5.4	2.3	2	72.9	77.2	89.2	96.0	114.2	119.6	124.2	126.5
1	4.6	4.1	3.5	2.7	1	77.2	81.8	96.0	100.1	119.6	123.1	126.5	129.2

Job	M1	M2	M3	M4		Mulai	Selesai	Mulai	Selesai	Mulai	Selesai	Mulai	Selesai
3	15.1	15.2	16.7	9.6	3	0.0	15.1	15.1	30.3	30.3	47.0	47.0	56.6
4	21.3	15.9	19.4	9.3	4	15.1	36.5	36.5	52.4	52.4	71.9	71.9	81.2
5	11.8	14.0	12.7	7.8	5	36.5	48.3	52.4	66.4	71.9	84.6	84.6	92.4
2	4.4	6.8	5.4	2.3	2	48.3	52.7	66.4	73.2	84.6	90.0	92.4	94.7
6	24.5	16.3	25.0	10.0	6	52.7	77.2	77.2	93.5	93.5	118.5	118.5	128.5
1	4.6	4.1	3.5	2.7	1	77.2	81.8	93.5	97.6	118.5	122.0	128.5	131.2

Job	M1	M2	M3	M4		Mulai	Selesai	Mulai	Selesai	Mulai	Selesai	Mulai	Selesai
3	15.1	15.2	16.7	9.6	3	0.0	15.1	15.1	30.3	30.3	47.0	47.0	56.6
4	21.3	15.9	19.4	9.3	4	15.1	36.5	36.5	52.4	52.4	71.9	71.9	81.2
5	11.8	14.0	12.7	7.8	5	36.5	48.3	52.4	66.4	71.9	84.6	84.6	92.4
2	4.4	6.8	5.4	2.3	2	48.3	52.7	66.4	73.2	84.6	90.0	92.4	94.7
1	4.6	4.1	3.5	2.7	1	52.7	57.3	73.2	77.3	90.0	93.5	94.7	97.4
6	24.5	16.3	25.0	10.0	6	57.3	81.8	81.8	98.1	98.1	123.1	123.1	133.1