

LAMPIRAN

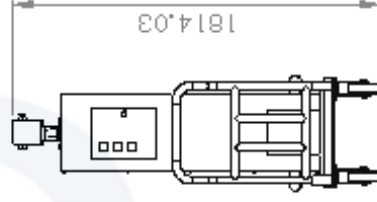
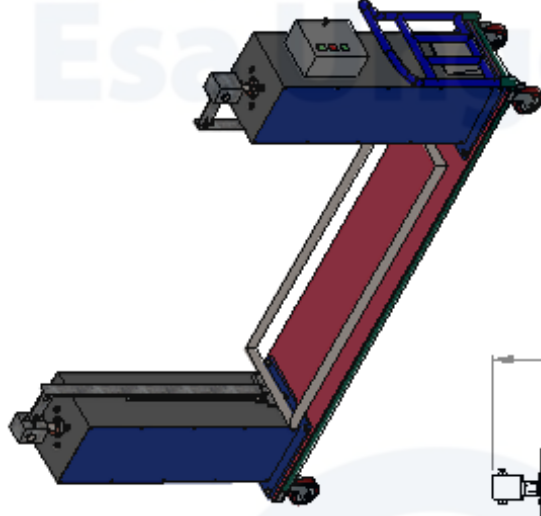
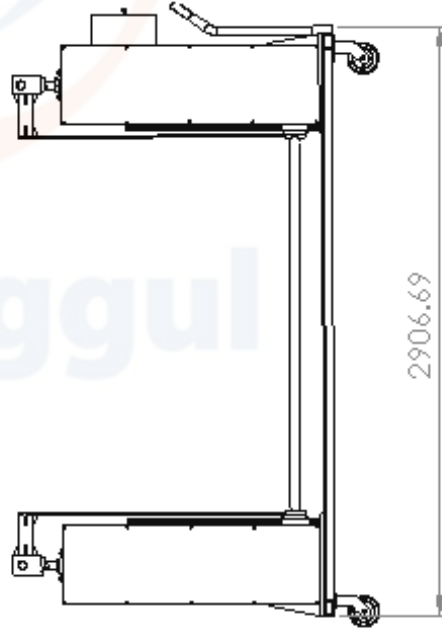
Universitas
Esa Unggul

Univers
Esa

Universitas
Esa Unggul

Univers
Esa

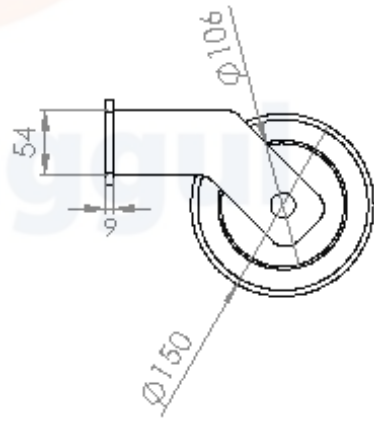
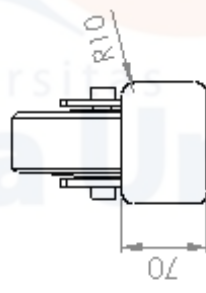
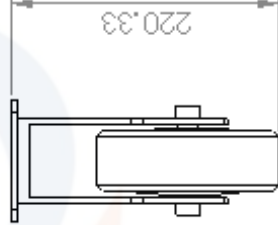
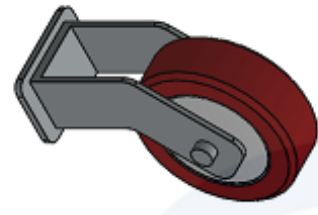
1. Alat Bantu Angkat



6						5						4						3						2						1																	
D						C						B						A																													
DESIGNED BY RIFAA M F												DRAWING NO.						ITEM DESCRIPTION						DIMENSION						MATERIAL						QTY						REMARK					
DRAWN BY IRVAN W, R KIP												DATE						MESSENGERS						mm						FILE NAME																	
CHECKED BY												SCALE						DRAWING NAME						Alat Bantu Angkat																							
APPROVED BY												SHEET NO.						3						2																							
Universitas Esa Unggul												23-07-2022						1 : 30						01																							
6												4						3						2						1																	



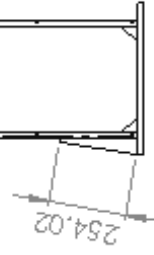
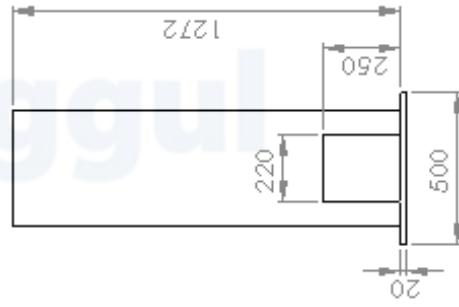
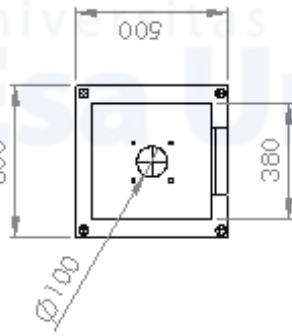
3. Pemindah



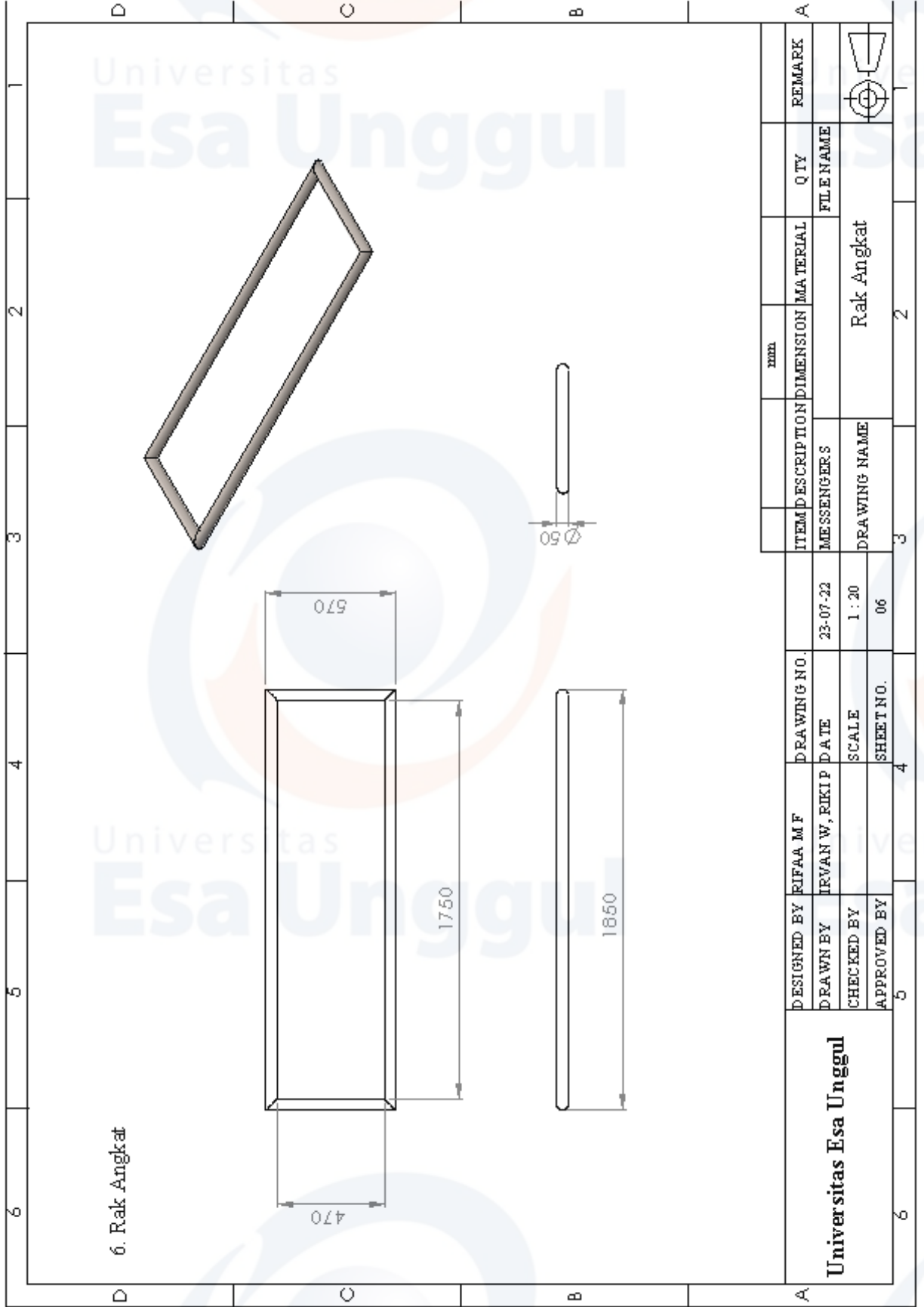
ITEM DESCRIPTION	DIMENSION	MATERIAL	QTY	REMARK
MESSENGE'S				
Pemindah				
			2	

DESIGNED BY	RIFAA M F	DRAWING NO.		
DRAWN BY	IRVAN W, RIKIP	DATE	23-07-22	
CHECKED BY		SCALE	1 : 5	
APPROVED BY		SHEET NO.	03	
6				

5. Cover Penggerak



6	5	4	3	2	1
D	C	B	A		
DESIGNED BY RIFAA M F		DRAWING NO.	ITEM DESCRIPTION	DIMENSION	REMARK
DRAWN BY IRVAN W, RIKIP		DATE	MESSENGERS	mm	QTY
CHECKED BY		SCALE	DRAWING NAME		FILE NAME
APPROVED BY		SHEET NO.	Cover Penggerak		Cover Penggerak
Universitas Esa Unggul		23-07-22			
		1 : 20			
		05			
D	C	B	A		
6	5	4	3	2	1



ITEM DESCRIPTION	DIMENSION	MATERIAL	QTY	REMARK
DRAWING NAME		Rak Angkat		
DRAFTING NO.		06		
SCALE		1 : 20		
DATE		23-07-22		
DRAWING NO.		23-07-22		
DESIGNED BY		RIFAA M F		
DRAWN BY		IRVAN W, RIKIP		
CHECKED BY				
APPROVED BY				
SHEET NO.		06		
SCALE		1 : 20		
DATE		23-07-22		
DRAWING NO.		23-07-22		
MESSAGERS		Rak Angkat		
FILE NAME		Rak Angkat		
REMARK				